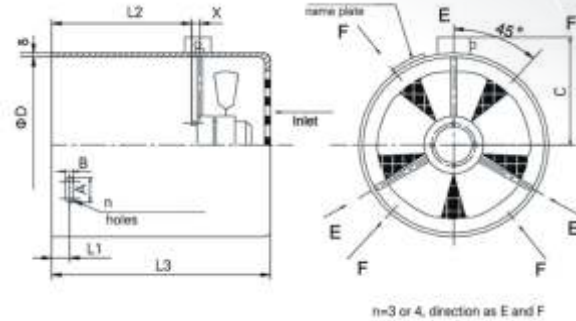


Forced Cooling Fan For Low Voltage Motor

Long Length Fan / B Type



This series of fan is mainly used to Y2 series motor, the motor tail with blades installed shaft before. In order to achieve better cooling effect, this series of fan can be used when retrofitting forced cooling fan, fan outlet box is top outlet. If the customer needs to install the encoder on the basis of the A type, it will B type when fan lengthening, the size of the fan lengthen is provided by customers.

Model	ΦD	L1	L2	X	L3	δ	A	B	n	C
G-63B	121 ⁺¹ ₀	10±1	48	10	138	1.2	12	6	3	115
G-71B	138 ⁺¹ ₀	13±1	60	10	150	1.2	12	6	3	120
G-80B	154 ⁺¹ ₀	16,5±1	85	10	175	1.2	12	6	3	130
G-90B	173 ⁺¹ ₀	17±1	96	10	188	1.2	12	6	3	140
G-100B	195 ⁺¹ ₀	19±1	96	10	196	1.2	14	7	3	151
G-112B	219 ⁺¹ ₀	18,5±1	100	10	200	1.2	14	7	3	163
G-132B	256 ⁺¹ ₀	18,5±1	110	10	217	1.2	14	7	3	182
G-160B	311 ⁺¹ ₀	20±1	149	10	277	1.5	14	7	4	210
G-180B	352 ⁺¹ ₀	35±1	190	10	312	1.5	14	7	4	231
G-200B	393 ⁺¹ ₀	40±1	190	10	314	1.5	17	9	4	252
G-225B	443 ⁺¹ ₀	45±1	220	10	374	2	17	9	4	276
G-250B	482 ⁺¹ ₀	45±1	240	15	402	2	17	9	4	296
G-250B	546 ⁺¹ ₀	55±1	265	15	429	2	25	11	4	362
G-280B	614 ⁺¹ ₀	65±1	310	15	560	2	25	11	4	398
G-315B	694 ⁺² ₀	75±1	380	-	655	2.5	25	13	4	437
G-355B	786 ⁺² ₀	82±1	510	-	785	3	25	13	4	485
G-400B	884 ⁺² ₀	120±1	510	-	810	3	25	13	4	530
G-450B	⁺² ₀	162±1		-						

Model	Frame size	V Voltage	Hz Frequency	W Power	A Current	rpm Speed	m3/h Air flow	Pa Air press	dB(A) Noise	IP Protection
G-63B	68-13	380	50	25	0.09	2800	45	40	62	54/55
G-71B	68-13	380	50	35	0.09	2850	52	50	62	54/55
G-80B	68-13	380	50	45	0.09	2650	58	60	62	54/55
G-90B	68-13	380	50	45	0.09	2600	91	80	65	54/55
G-100B	92-15	380	50	65	0.18	2750	142	80	67	54/55
G-112B	92-15	380	50	80	0.18	2550	229	80	67	54/55
G-132B	92-24	380	50	55	0.23	1430	337	35	69	54/55
G-160B	92-32	380	50	60	0.28	1400	609	40	72	54/55
G-180B	92-32	380	50	85	0.28	1350	686	55	72	54/55
G-200B	92-32	380	50	110	0.28	1200	1679	65	72	54/55
G-200B	102-48	380	50	170	0.40	1450	1786	70	74	54/55
G-225B	102-55	380	50	200	0.60	1400	1813	80	75	54/55
G-250B	102-55	380	50	270	0.60	1350	2415	85	78	54/55
G-280B	0.37-4	380	50	450	1.12	1350	5200	110	81	54/55
G-315B	0.55-4	380	50	700	2.05	1350	6200	150	85	54/55
G-355B	0.75-4	380	50	750	2.85	1350	6500	150	90	54/55
G-400B	1.1-4	380	50	1100	3.05	1350	8000	180	90	54/55
G-450B										